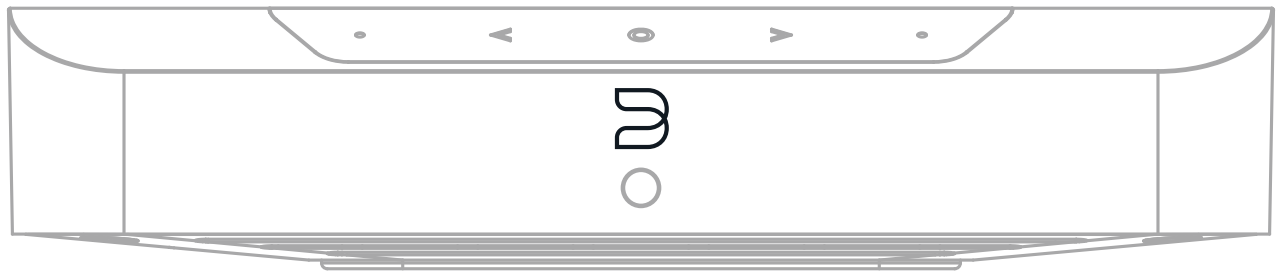


BLUESOUND

POWERNODE EDGE

COMPACT WIRELESS MUSIC STREAMING AMPLIFIER



OWNER'S MANUAL

v.N230

WILLKOMMEN ZU #LIVINGHIFI

Vielen Dank für den Kauf deines POWERNODE EDGE. Er ist ein kompakter, vielseitiger Netzwerk-Musikstreaming-Verstärker, der den Genuss von hochauflösendem Audio auf bequeme Weise in den Alltag bringt. Füge einfach ein Paar Lautsprecher hinzu, um das ultimative 2-Kanal-System zu schaffen, das auch mit anderen Bluesound Playern zu Multiroom-Gruppen hinzugefügt werden kann.

NUR NOCH DIE LAUTSPRECHER ANSCHLIESSEN Der POWERNODE EDGE vereint Streaming-Quellen, Steuerung und Verstärkung in einem eleganten und erschwinglichen Player. Du musst nur noch ein Paar passive Lautsprecher anschließen, um ein unglaubliches All-in-One HiFi-Erlebnis zu genießen. Steuere deine Musik mit der intuitiven BluOS Controller App. Spiele Musik aus deiner persönlichen Musikbibliothek oder auch direkt von einem externen USB-Medium. Verbinde einfach kabelgebundene Quellen wie einen TV über HDMI eARC oder einen Plattenspieler über den kombinierten Analog/Digital-Eingang. Füge einen PULSE SUB+ kabellos hinzu, um ein kraftvolles aber kompaktes 2.1 Stereo-System zu erhalten. Der POWERNODE EDGE kann auch die Rear-Kanäle eines kabellosen Bluesound Surround Setups befeuern.

VOLLGEPACKT MIT POWER Erwecke deine Lautsprecher zum Leben mit dem kräftigen, druckvollen 2 x 40 Watt DirectDigital™ Verstärker des POWERNODE EDGE, der Hi-Res, 24 Bit/192 KHz Dateien und MQA-encodierte Titel mit Leichtigkeit abspielt. Genieße Klarheit bei der Wiedergabe jedes Inhalts, von vielschichtigen Heavy Metal Titeln bis hin zu flüsterleisen Dialogen in Filmen und Serien.

ELEGANT UND VIELSEITIG Der kompakte Formfaktor des POWERNODE EDGE sorgt dafür, dass er in jedes Dekor passt und kommt zudem mit einer variablen Wandhalterung, so dass er auch außer Sicht genutzt werden kann. Die einfache Spezifizierung, die 1-HE-Rackhöhe und die halbe Rackbreite, sowie ein leicht zugängliches Touch-Bedienfeld werden Installateure zu schätzen wissen.

Diese Anleitung gibt dir einen detaillierten Überblick über deinen POWERNODE EDGE und dessen Features. Der Quick Setup Guide im Lieferumfang deines POWERNODE EDGE hilft dir dabei, ihn in das Netzwerk zu integrieren und für das Abspielen deiner Musik vorzubereiten.

BITTE BEACHTEN: Zum Streamen von Inhalten von Musikdiensten und zum Aktualisieren deines Players wird eine Internetverbindung benötigt. Ohne Internetverbindung kannst du nicht alle Funktionen deines POWERNODE EDGE nutzen.

Wenn du weitere Hilfe oder Infos benötigst, schau hier vorbei <https://support.bluesound.net/hc/de> oder schreibe uns unter service@bluesound-deutschland.de

Mitgeliefertes Zubehör



120V AC Power Cord



Ethernet Cable



230V AC Power Cord



Mini Jack to Toslink Adapter



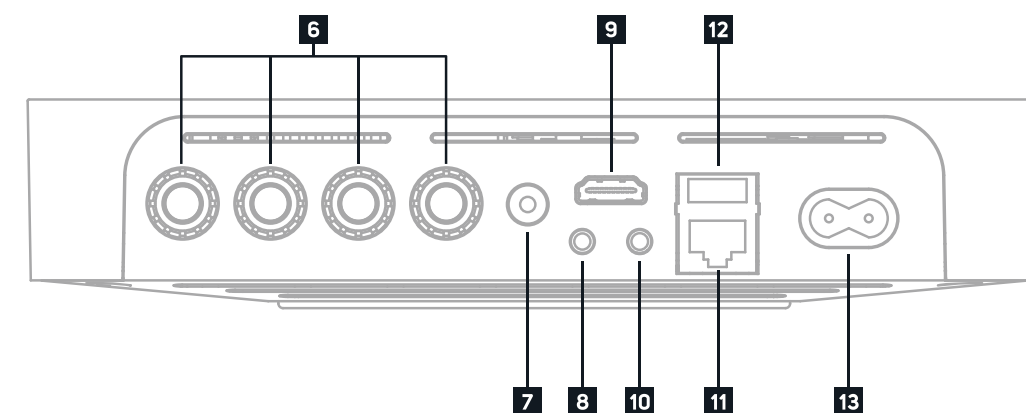
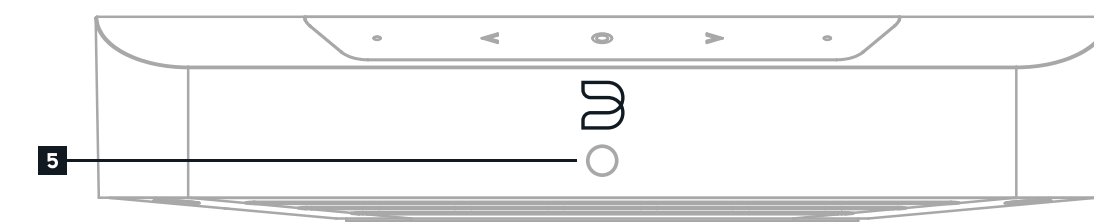
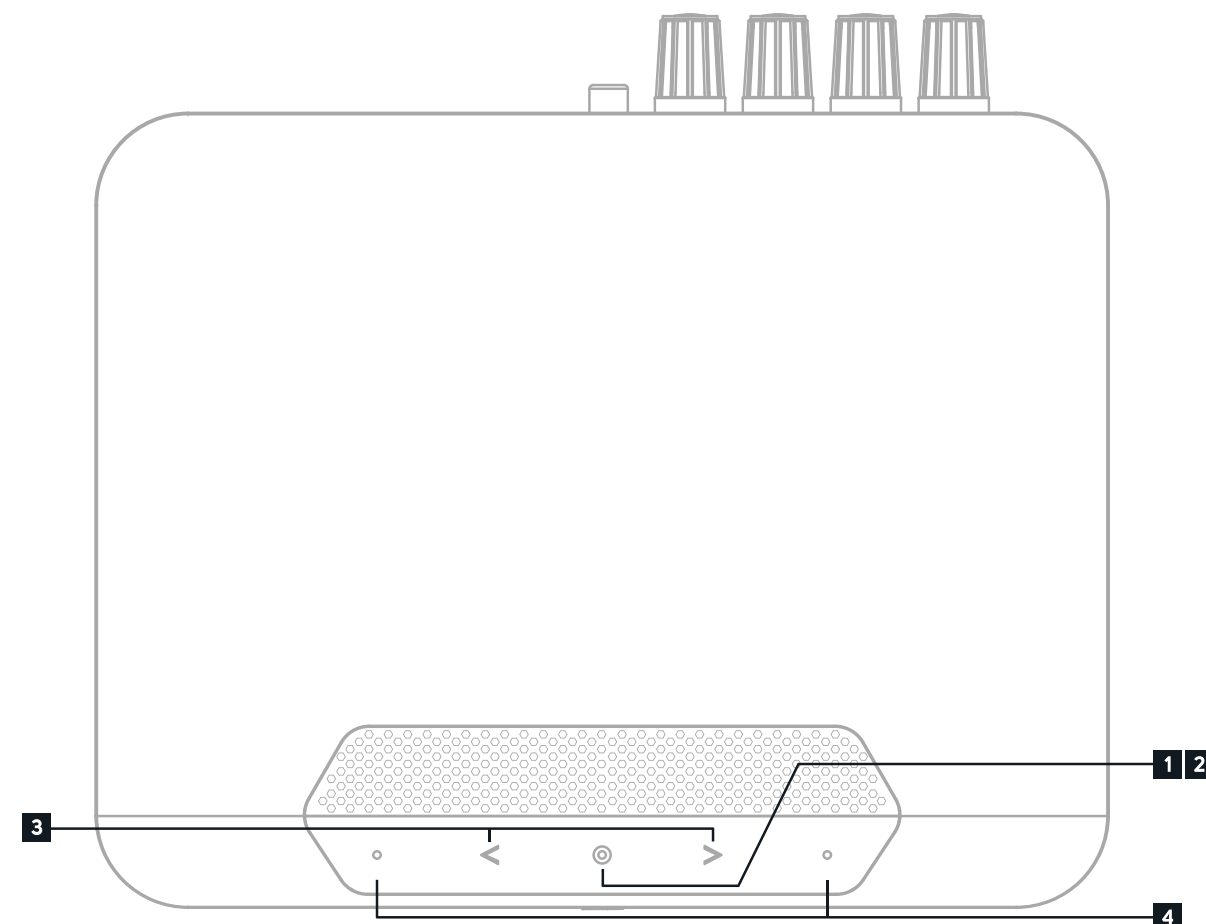
Metal Mounting Screw



Metal Mounting Bracket



Rubber Mount Attachment



1 STATUS INDICATOR Below is a table of the LED blink codes and their corresponding descriptions.

LED BLINK CODE	DESCRIPTION
Short blue flash, then red	Powering up rebooting the unit
Solid green	Hotspot Mode
Flashing green	Connecting to Network
White pulse	Software update available
Solid red	Upgrade Mode
Alternate flashing red and green	Upgrading
Flashing blue	Mute Mode
Solid white	Indexing
Solid blue	Connected to Network - ready to use with BluOS App
Flashing red	Factory Reset in process
Solid Purple	Hotspot Mode timed out

2 PLAY/PAUSE BUTTON This button has multiple functions – a visual indicator of player status and a PLAY/PAUSE button. For a full listing of LED Blink Codes, please see #1 – Status Indicator. For an ungrouped player, press the button to Play and Pause the stream. If listening to an internet radio stream, the Pause function will work for 30 seconds. At this point, the buffer is full and the stream will Stop. When a player is grouped, pressing the PLAY/PAUSE button will Mute that player while other players continue the stream. The player’s LED will flash blue when muted. The PLAY/PAUSE button is also used for Factory Reset functions. See steps for Factory Reset later in this manual.

3 PREVIOUS TRACK/NEXT TRACK Go back to the previous track < or skip to the next track > in your current play queue.

4 VOLUME UP/DOWN Tap the • buttons to vary the volume level in 1db intervals, allowing you to fine-tune your volume setting. Press and hold to rapidly adjust volume. The right-side button increases volume level; the left-side button decreases volume level.

5 IR RECEIVER Point any IR (infrared) remote control at the IR receiver and press the buttons to control player functions. The POWERNODE EDGE features IR Learning, which enables any IR remote control to learn BluOS commands. With the learned commands, the configured remote control can then be used to operate the player. Configure your IR remote control in the POWERNODE EDGE Settings menu in the BluOS App.

6 SPEAKERS Connect the right speaker to the terminals marked “SPEAKER RIGHT +” and “SPEAKER RIGHT -” ensuring that “+” is connected to the “+” terminal on your loudspeaker and “-” is connected to the loudspeaker’s “-” terminal. Repeat for the left speaker using “SPEAKER LEFT +” and “SPEAKER LEFT -”. Use extra care to ensure that no stray wires or strands cross between posts or terminals at either end.

7 SUBWOOFER (SUBW) OUT A subwoofer can be connected directly to the POWERNODE EDGE. Connect SUBW OUT to a powered (“active”) subwoofer. By default a low pass filter is applied at 80Hz, meaning audio below 80Hz is transmitted through the SUBW OUT when a wire is connected. The main loudspeaker output remains at full range unless additional subwoofer and crossover settings in the BluOS App are engaged. You can also connect the POWERNODE EDGE to a Bluesound PULSE SUB+ over the network.

8 IR IN An infrared extender can be connected to allow for programmable learning remotes to control functionality when a POWERNODE EDGE is placed in a way that the front panel IR sensor is not visible.

9 HDMI eARC The HDMI eARC input on the POWERNODE EDGE is for audio sources only (eARC = Enhanced Audio Return Channel). Using a certified HDMI cable (not provided), connect one end to the eARC input of the POWERNODE EDGE and the other end to an ARC-enabled HDMI output on your television or other source. You may be required to enable ARC in your TV settings. Consult your TV user manual for more information. The source will appear as HDMI ARC for the POWERNODE EDGE in the BluOS App.

10 OPTICAL/ANALOG IN Using a 3.5mm stereo audio cable (not provided), connect one end to the OPTICAL/ANALOG IN of the POWERNODE EDGE and the other end to the corresponding analog output of your source device. This will appear as Analog Input in the BluOS App. Using the 3.5mm Mini Jack to Toslink adaptor (included with the POWERNODE EDGE), a digital optical source can also be added. This will appear as Optical Input in the BluOS App.

11 LAN PORT To setup the POWERNODE EDGE using the LAN Port a Wired Ethernet connection is required. Using the Ethernet cable provided, connect one end of the Ethernet cable to the LAN port of your wired Ethernet broadband router and the other end to the POWERNODE EDGE’s LAN port. The LAN PORT is an optional connection, but for the best network performance an Ethernet connection is recommended.

12 USB (TYPE A) Connect a USB mass storage device to the USB input. Typical USB mass storage devices compatible with the POWERNODE EDGE include portable flash memory devices and external hard drives (FAT32 formatted). Use the USB (Type A) port for manual software upgrades. This is only necessary in specific cases with authorization from the Bluesound Support Crew.

13 AC MAINS INPUT The POWERNODE EDGE comes supplied with two separate AC power cords. Select the AC power cord appropriate for your region. Before connecting the plug to the wall outlet, connect firmly the other end of the AC power cord to POWERNODE EDGE’s AC Mains input socket. Never force the plug into a wall outlet. An adaptor may be necessary in certain regions. Always disconnect the plug from the wall outlet first, before disconnecting the cable from the AC Mains input socket.

SETUP

Placement

The POWERNODE EDGE is designed to power a pair of passive loudspeakers. The minimum specified speaker impedance of the amplifier is 4Ω. Be sure to consider the distance from the player to your speakers when purchasing speaker cable. Also consider the distance from the player to AC power. The POWERNODE EDGE comes supplied with a 2m/6ft power cable.

A common product placement is a centralized audio closet or media room, powering architectural loudspeakers. The POWERNODE EDGE is properly designed for rack placement: 1U rack height, and half-rack width. Place players side-by-side in a standard-size audio rack, or stack on top of each other to fit multiple units in the rack. Heat management vents can be found on the bottom, top, and back panels, and the player controls are easily accessible on the angled front panel.

The POWERNODE EDGE comes supplied with a mounting bracket featuring a multi-orientation design so that it can be mounted to a wall or cabinet in any direction. Choose the best orientation to manage wires and cables properly. Follow these steps to mount your player:

1. Remove the mounting slot cover on the bottom panel.
2. Connect rubber mount attachment to bottom panel of POWERNODE EDGE with supplied metal mounting screw.
3. Use supplied metal mounting bracket to mark the mounting location. Ensure mounting location does not conceal electrical wiring or plumbing. Pre-drill each hole for mounting screws (recommended M4–0.7 x 3, 4 pieces, not supplied). Anchors may be required. Be sure to leave enough space to plug in the cables.
4. Slide the POWERNODE EDGE with rubber mount attachment onto the bracket. Push down to secure.

Wired sources can be connected directly to the rear panel of the POWERNODE EDGE using the HDMI eARC or analog/optical inputs. Examples of common audio sources are TVs, turntables, and CD players. Cables are not provided.

Network

The POWERNODE EDGE is a network audio player and relies on a well-implemented local area network to operate correctly. Internet access is required for software updates and to use many of the player’s features, like cloud-based music streaming.

Visit the Bluesound Knowledge Base for more help, tips, and tricks to improve network setup.
<https://support.bluos.net/hc/en-us/sections/360000042348-Networking-101>

Once your POWERNODE EDGE is connected to loudspeakers and AC power, you need to add it to your network. Watch for the front panel LED to turn Solid Green, indicating it is ready for network connection in ‘Hotspot’ mode. You can add your player to the network via wired Ethernet, or wirelessly via Wi-Fi. If using Ethernet, simply plug in an Ethernet cable to the POWERNODE EDGE’s LAN Port. The LED will turn Solid Blue, indicating network connection. If using Wi-Fi, open the BluOS App on a phone or tablet, and use the ‘Add A Player’ wizard to guide you through the steps. Whether connecting via Ethernet or Wi-Fi, you must finalize setup by initializing your POWERNODE EDGE within the BluOS App.

WARNING!

THIS IS A FACTORY RESET OF YOUR PLAYER. ALL CUSTOMIZATION INCLUDING WI-FI NETWORK CONFIGURATION, FILE SHARES AND SAVED PLAYLISTS WILL BE LOST. YOU WILL HAVE TO RE-CREATE THESE ONCE COMPLETE. THIS PROCESS IS ONLY RECOMMENDED IF YOUR PLAYER IS NOT FUNCTIONING AND AN INTERNET FIRMWARE UPGRADE HAS FAILED. FOR ANY QUESTIONS OR CONCERNS CONTACT AN AUTHORISED BLUESOUND CUSTOMER REPRESENTATIVE BEFORE PROCEEDING!

Steps to Factory Reset:

1. Disconnect the POWERNODE EDGE from electrical power.
2. Wait 30 seconds.
3. Reconnect the power.
4. Once the LED turns Red, press and hold the PLAY/PAUSE button. The LED will immediately turn Green and then back to Red - continue to hold the button for 30 seconds.
5. After 30 seconds, the LED will begin to blink red – then release the button.
6. All customization to the POWERNODE EDGE will be removed and restored to factory settings.

IMPORTANT Removing your finger from the PLAY/PAUSE button at any time before the LED begins flashing red will cancel the factory reset and leave the POWERNODE EDGE in Upgrade Mode. Just start the steps again to factory reset it.

You will know the factory reset is successful if the POWERNODE EDGE returns to Hotspot mode (wireless connection - the LED will turn solid green). If it is connected to your network through a wired Ethernet connection, it will simply connect as if it was a new player (LED will turn solid blue).

BLUESOUND®

© Bluesound International. Bluesound, the stylized wordmark "B" logotype, the phrase "HiFi for a wireless generation", POWERNODE EDGE and all other Bluesound product names and taglines are trademarks or registered trademarks of Bluesound International, a division of Lenbrook Industries Limited. All other logos and services are trademarks or service marks of their respective owners.